

Industrial Router Specification

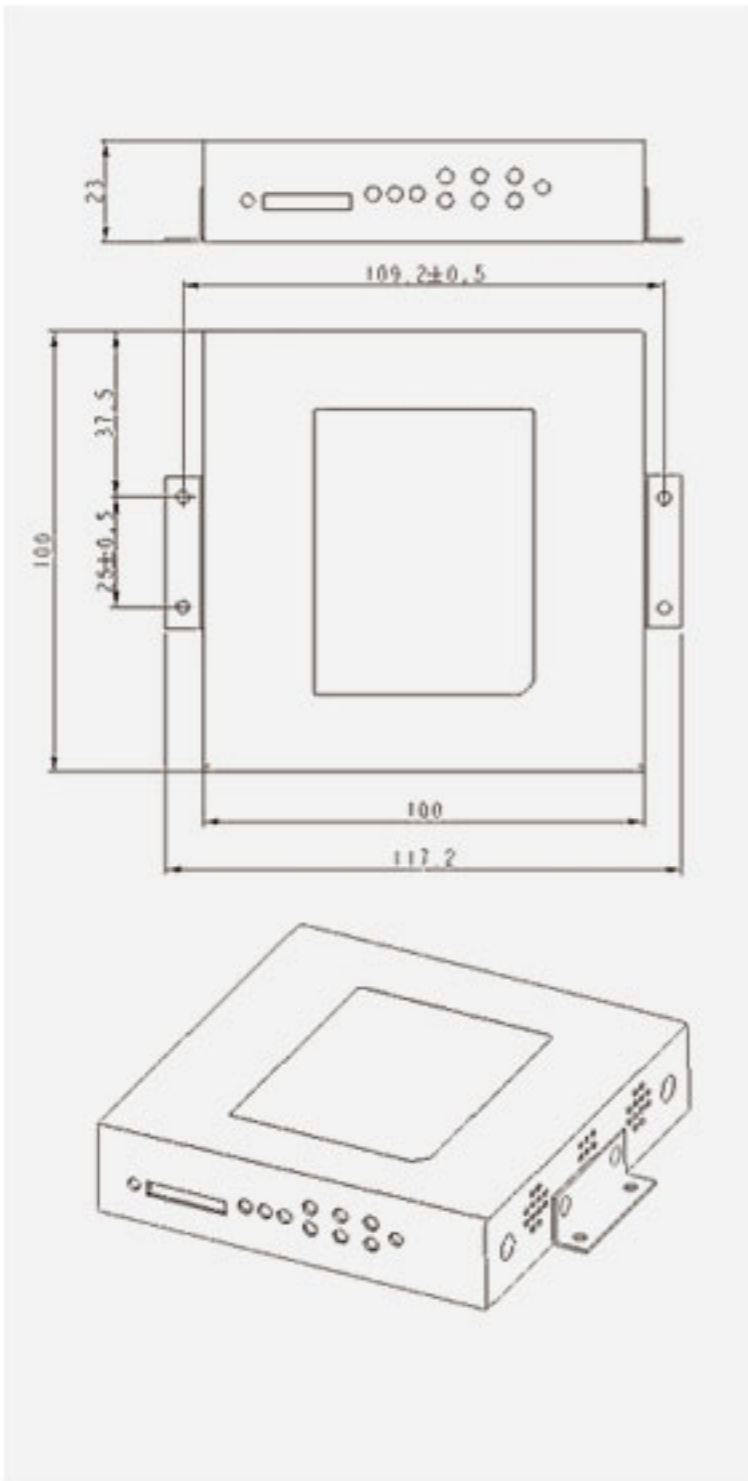
BMR200

Suitable models: BMR200-LF, BMR200-W



BMR200 industrial small size router series provide high-speed wireless connection by cellular 4G/3G/2.5G network. Without wiring, auto networking between remote equipment and data center after powered. The expansion of the network is flexible and convenient, the project can be implemented in stages according to actual needs. When new equipment is needed to enter the network, it is very easy to add and expand. The router adopts high-performance industrial 32 bits communication processor and industrial wireless module, and provides equipment management platform. It has the characteristics of small volume, fast data transmission, stable and reliable network access. It is widely used in equipment remote monitoring, supply chain automation, digital medical treatment and other applications.

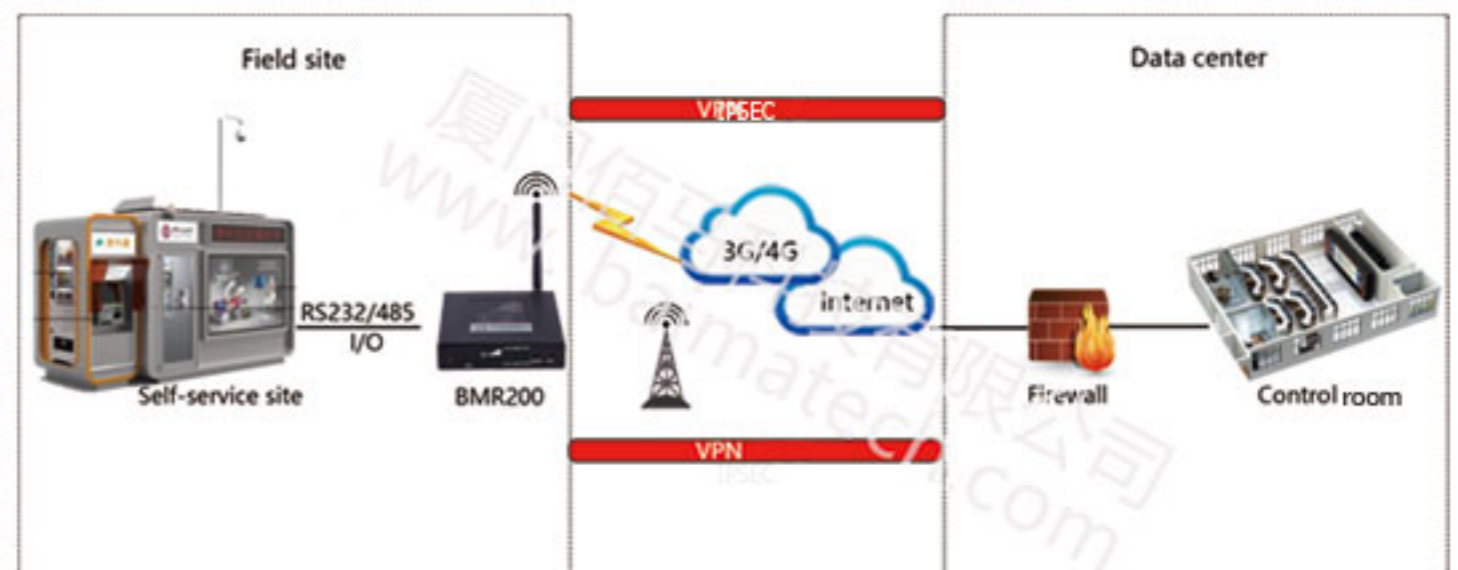
Dimensions



Features

- Equipment networking when powered
- 1 x RS485, 1 x RS232, 1 x WAN, 1 x LAN. WAN can act as LAN
- Multiple hardware and software technology guarantee connection "permanent online"
- VPN special network and other multiple security mechanisms
- 4G/3G/2.5G network with courier approval
- Wireless signal automatic search and intelligent switching/match
- Industrial grade design, high and low temperature (-35-75°C), wide voltage (5-35V)
- Durable self locking card slot
- Linux secondary development
- Configuration parameters can be saved, support parameter backup and import
- Equipment management platform, centralized monitoring, configuration, upgrading, diagnosis of a large number of distributed routers

Networking



Specifications

Item	Content	Standard	Description
Interface	Serial port	X 2	Serial form: 5 PIN 3.5mm terminal Serial type: RS232/RS485 Baud rate: 1200~115200 bps Data format: 8 x data bits, 1 x stop bit, none/odd/even parity, no flow control
	Ethernet	1 X LAN	10/100M RJ45 port
		1 x WAN	10/100M RJ45 port, can act as LAN
	SIM/UIM	X 1	Drawer type holder, standard 1.8V/3V SIM/UIM, 15KV ESD protection
	Antenna interface	X 1	Standard SMA female interface, 50 ohm
LED Indicators	X 9	System, Power, Online, LAN, WAN, Alarm, Signal(3 x LEDs)	
Power supply	Standard	DC 12V/1.5A	Reverse-voltage and overvoltage protection
	Voltage Current	DC 5V -- 35V <200mA (12V)	
Power Consumption	Communication	<2.16W	<180mA@12VDC; <432mA@5VDC
	Standby	<1.8W	<150mA@12VDC; <55mA@5VDC
	Sleep	<0.24W	<8mA@12VDC; <18mA@5VDC
Security	Link detection	PPP layer heartbeat, ICMP detection, TCP keepalive and application layer heartbeat and other multi-level link detection mechanisms, and support dropout reconnection	
	Watchdog	Self-diagnostic, auto-recover from failure	
Network management	Auto dialing	Auto dialing when powered	
	On-demand dialing	Activate by data/SMS, scheduled online/offline	
	Configuration	M2M equipment cloud platform, remote configuration	
	Upgrade	Serial port or remote upgrade	
	Log	Local or remote log	
	Management	M2M equipment cloud platform	
Configure backup	Configure file import and export		
IP grade	IP30	Iron housing	
Environment	Working	-35 - +75° C	
	Storage	-40 - +80° C	
	Humidity	95% (unfreezing)	
Physical features	Installation	DIN rail, wall mounted	
	Dimensions	100x100x23mm(excluding antenna and mounting)	
	Weight	320g	

Ordering

Model	Cellular frequencies	VPN	WIFI
BMR200-LF LTE/WCDMA ROUTER	FDD-LTE2600/2100/1800/900/800MHz 700/1700/2100MHz (optional) HSPA+/HSDPA/HSUPA/WCDMA/UMTS 900/2100MHz 800/850/1900/2100MHz (optional) EDGE/GPRS/GSM 850/900/1800/1900MHz GPRS CLASS 10, EDGE CLASS 12	Optional	Optional
BMR200-W HSPA+/WCDMA ROUTER	UMTS/WCDMA/HSDPA/HSUPA/HSPA+ 850/900/1900/2100MHz GSM 850/900/1800/1900MHz GPRS/EDGE CLASS 12	Optional	Optional

Included

